

ARRLED

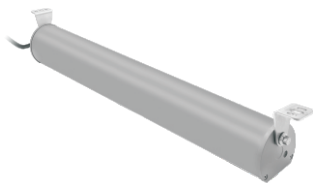
Model L Linear Light
2022 V1

Model L



Model L

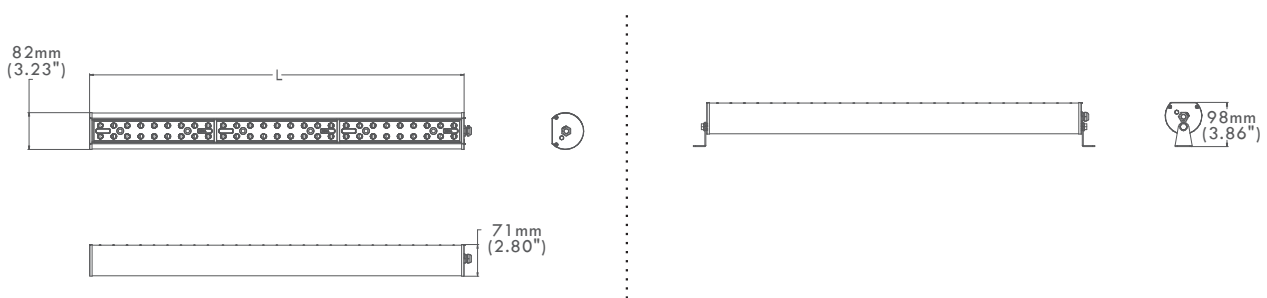
LED Linear Light



Product Introduction

Model L is perfect for both industrial and commercial applications. The system is completely modular and is capable of illuminating a wide variety of spaces providing great flexibility to customise optics and building a variety of luminaires on demand. It can be surface mounted or suspended to suit your space, providing unmatched illumination performance and significant energy saving.

Dimension



Performance Summary

Input Voltage	100-277VAC, 50/60Hz
Nominal Power	40W~160W
Efficiency	Up to 160 LPW
CRI	Ra>70(Default)/Ra>80/Ra>90
Power Factor	>0.9 at full load
Total Harmonic Distortion	<20% at full load
Optic(IESNA)	Type I, Type V
Operating Temperature	-40°C~+50°C
Accessories & Options	1-10V Dimming, Motion Sensor, Emergency Power Supply, Photocell MINI
Color Options	Gray, Black
L70	>100,000H
Limited Warranty	10 years limited warranty



Not all products are qualified on the DLC QPL. To view our DLC qualified products, please consult the DLC Qualified Products List at www.designlights.org

Ordering Information

Example: LEC40L-T5M-40K-GY-DIM

MODEL	INPUT VOLTAGE	COMMON OPTIC	CCT	COLOR	OPTIONS
LEC40	L 100-277VAC	T1S	19K 1900K	GY Gray-RAL7004	DIM 1-10V Dimming
LEC80		T5M	22K 2200K		
LEC120		T5W	30K 3000K	BK Black-RAL9011	MMS Motion Sensor
LEC160		T40D	40K 4000K		
	T60D	50K 5000K	EPS Emergency Power Supply		
	T90D	57K 5700K		PCM Photocell MINI	

With the exception of the DIM, all options require prior confirmation with the engineer.

Specification Features

Construction Rugged extruded aluminum housing. Modular design allows for easy installation, replacement and maintenance. IP66 water-proof and dust-proof rated.

Optics With flexible ways options lens, LED realized all the necessary features to handle various tasks in industrial and commercial sector. It helps people work precisely to increase operation efficiency and triple saves energy in engineering applications. It also benefits commercial area for presentation and retailing without extra reflector.

Electrical 100-277VAC 50/60Hz Operation. The Model L is suitable for operation in -40°C to 40°C ambient environment. Various dimming methods like 1-10V dimming, DALI can save more energy. Available in standard 700mA driver current.

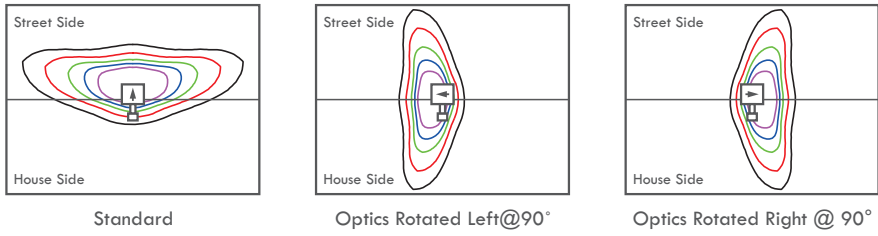
Mounting Suspension mounting & Surface mounting available.

Finish Housing finished in super durable powder coat paint, corrosion resistant polyester powder painted 100µm thickness. Meets 1000-hour salt spray certification per ASTM Standard B117. Standard housing color of Grey and Black. Customized colors are available.

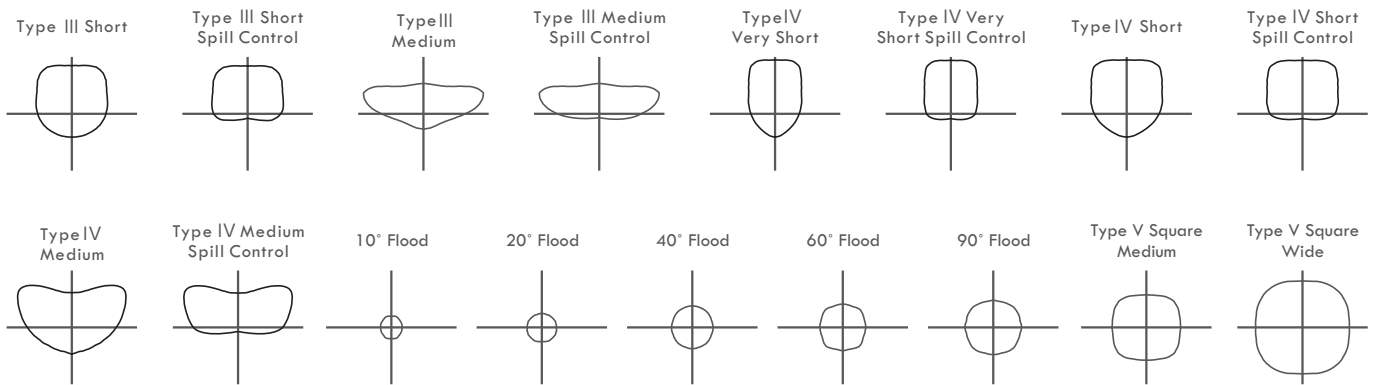
Certification

- cULus Listed
- CE-LVD/CE-EMC/CB
- SAA
- DLC Premium qualified versions available
- IP66 /IK08
- RoHS compliant
- Endurance tested to withstand 1,000 hours of elevated ambient salt fog conditions as defined in ASTM Standard B117

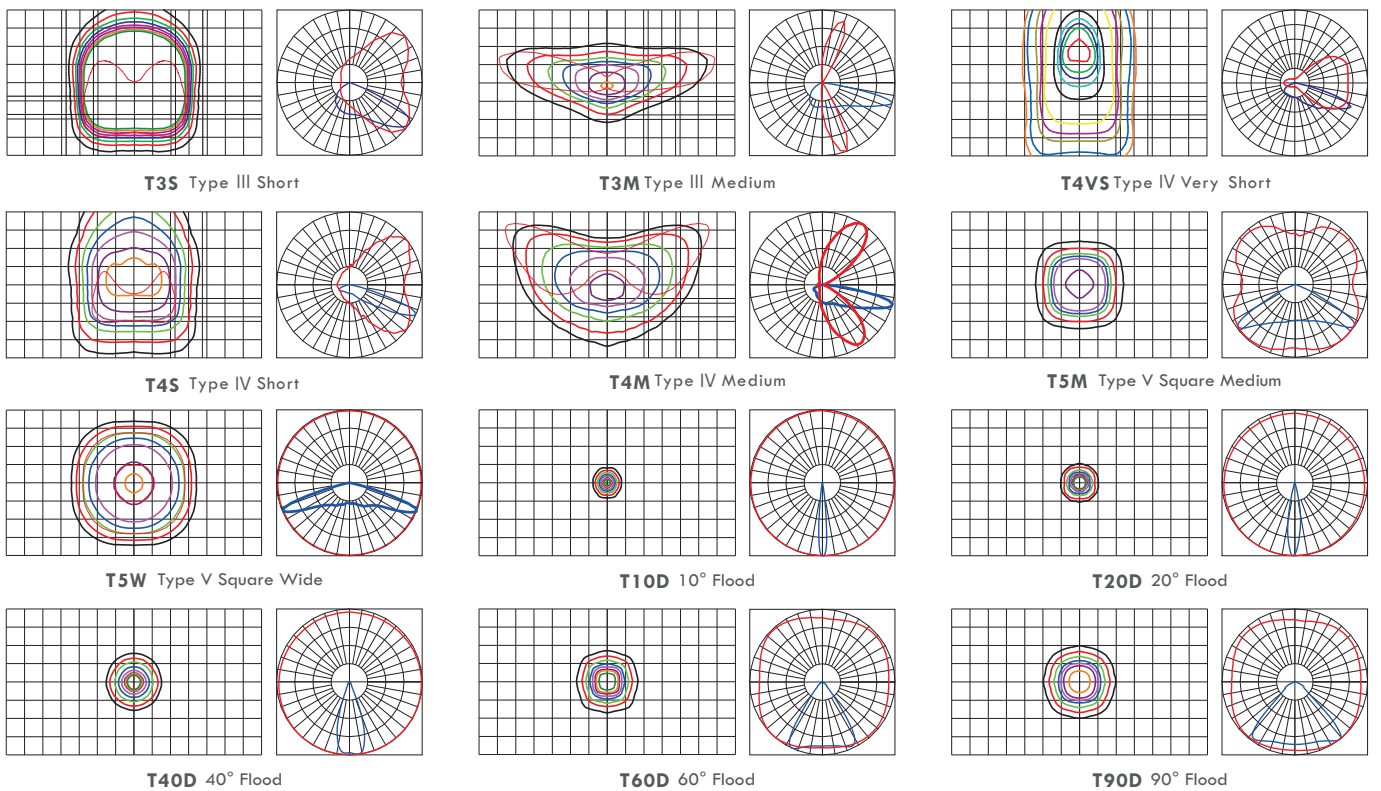
Optic Orientation



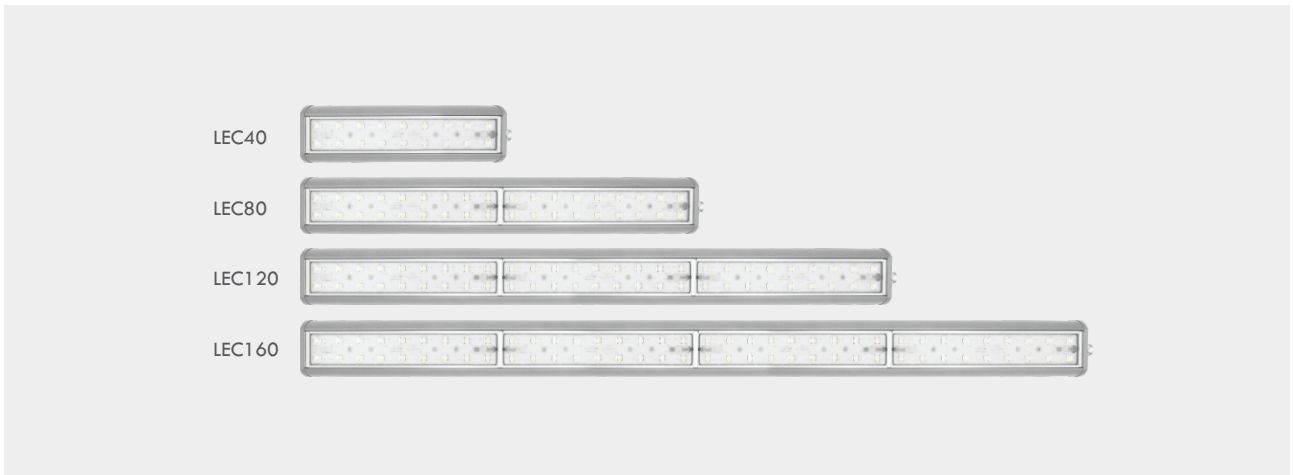
Optical Distributions



Photometry



Product Image



Brief Specifications

Model	Nominal power	LED current	Module number	Module power	Product size L*W*H (mm/in)	Packing size L*W*H (mm/in)	Net weight	Gross weight	Typical luminous flux(lm)	Typical efficiency (lm/W)
100-277VAC										
LEC40L	40W	700mA	1	40W	287(11.30)*82(3.23)*71(2.80)	405(15.94)*115(4.53)*130(5.12)	1.6KG	2.1KG	6000	150
LEC80L	80W	700mA	2	40W	560(22.05)*82(3.23)*71(2.80)	680(26.77)*115(4.53)*130(5.12)	2.3KG	2.8KG	12160	152
LEC120L	120W	700mA	3	40W	834(32.83)*82(3.23)*71(2.80)	955(37.60)*115(4.53)*130(5.12)	2.9KG	3.5KG	18240	152
LEC160L	160W	700mA	4	40W	1107(43.58)*82(3.23)*71(2.80)	1225(48.23)*115(4.53)*130(5.12)	3.7KG	4.3KG	24480	153

CERTIFICATION & STANDARDS

Certification	Standards	Remark
CE-LVD Low Voltage Directive (2014/35/EC)	EN 60598-2-3/A1:2011	Applicable for Street Light
	EN 60598-2-5:2015	Applicable for Flood Light
	EN 60598-1:2015/A11:2018	
	EN 62471:2008	
	EN 62493:2015	
CE-EMC Electromagnetic Compatibility Directive (2014/30/EU)	EN 55015:2013/A1:2015	
	EN 61547:2009	
	EN 61000-3-2:2014	
	EN 61000-3-3:2013	
CE-ErP Energy-Related Products Directive (2009/125/EU)	EU 1194/2012:2012-12-12	
	EC 244/2009:2009-03-18	
	EU 859/2009:2009-09-18	
CE-RoHS Directive (2011/65/EU)	EN 62321:2009	
CB	IEC 60598-2-3/A1:2011	Applicable for Street Light
	IEC 60598-2-5:2015	Applicable for Flood Light
	IEC 60598-1:2014	
	IEC 62471:2006	
	IEC 62471-2:2009	
ENEC	EN 60598-2-3/A1:2011	Applicable for Street Light
	EN 60598-2-5:2015	Applicable for Flood Light
	EN 60598-1: 2015/A1: 2018	
	EN 62471:2008	
SAA	EN 62493:2010	
	AS/NZS 60598.2.3:2015	
ATEX ATEX 95 Equipment Directive(94/9/EC)	AS/NZS 60598.1:2017	
	EN 60079-0:12	
	EN 60079-11:12	
UL	EN 60529:1989+A1:1999	
	UL1598	
	UL8750	
	CSA C22.2 No. 250.0-08	
FCC	CSA C22.2 No. 250.13-14	
	Title 47 CFR Part 15	
PSE	日本電気用品安全法省令別表第八(Safety)	
	日本電気用品安全法省令別表第十(EMC)	
Photobiological Safety	EN 62471:2008	
	IEC 62471:2006	
Vibration test	ANSI C136.31-2010	Applicable for Street Light
	IEC/EN 60598-2-5 clause 5.6.7	Applicable for Flood Light
Salt spray test	ISO 9227:2012	
	ASTM B117	
IK08 Impact resistance test	IEC 62262:2002	
IP65 or IP67 test	IEC/EN 60598-1:2015 clause 9.2.2 and clause 9.2.6 or clause 9.2.8	
Photometric and Integrating Sphere test	IES LM-79-2008	
	ANSI C82.77-2002	
	ANSI C78.377-2011	
	CIE 13.3-1995	
	CIE 15-2004	
	IES TM-15-11	
LED Module	IES LM-63-2002	
	IEC/EN 62031:2008+A1:2013	
LED Lamps	IES LM-80-2008	
	ANSI C78.377-2011	
	JESD22 A108	
	JESD22 A101C	
	JESD22 A105	
	JESD22 B104	
LED Driver	JESD22 A114	
	EN 61347-1:2008	
	EN 61347-2-13:2006	
	EN 62384:2006+A1:2009	
	EN 55015:2006+A1:2007+A2:2009	
	EN 61000-3-2:2006+A1:2009+A2:2009	
	EN 61000-3-3:2008	
	EN 61547:2009	
	IEC 62386 Part 102 and Part 207	Applicable for DALI
	UL1012 UL879 UL935	
Surge Protection Device	FCC Title 47 CFR Part 15 Class A	
	ANSI/IEEE C62.41.2-2002	
Receptacle	UL1449	
	ANSI C136.10-2010	
Dimming Receptacle	ANSI C136.41-2013	

ARRLED

WAREHOUSE

2350 Route-du-Président-Kennedy, Notre-Dame-des-Pins, QC, G0M 1K0, Canada

info@arrled.ca